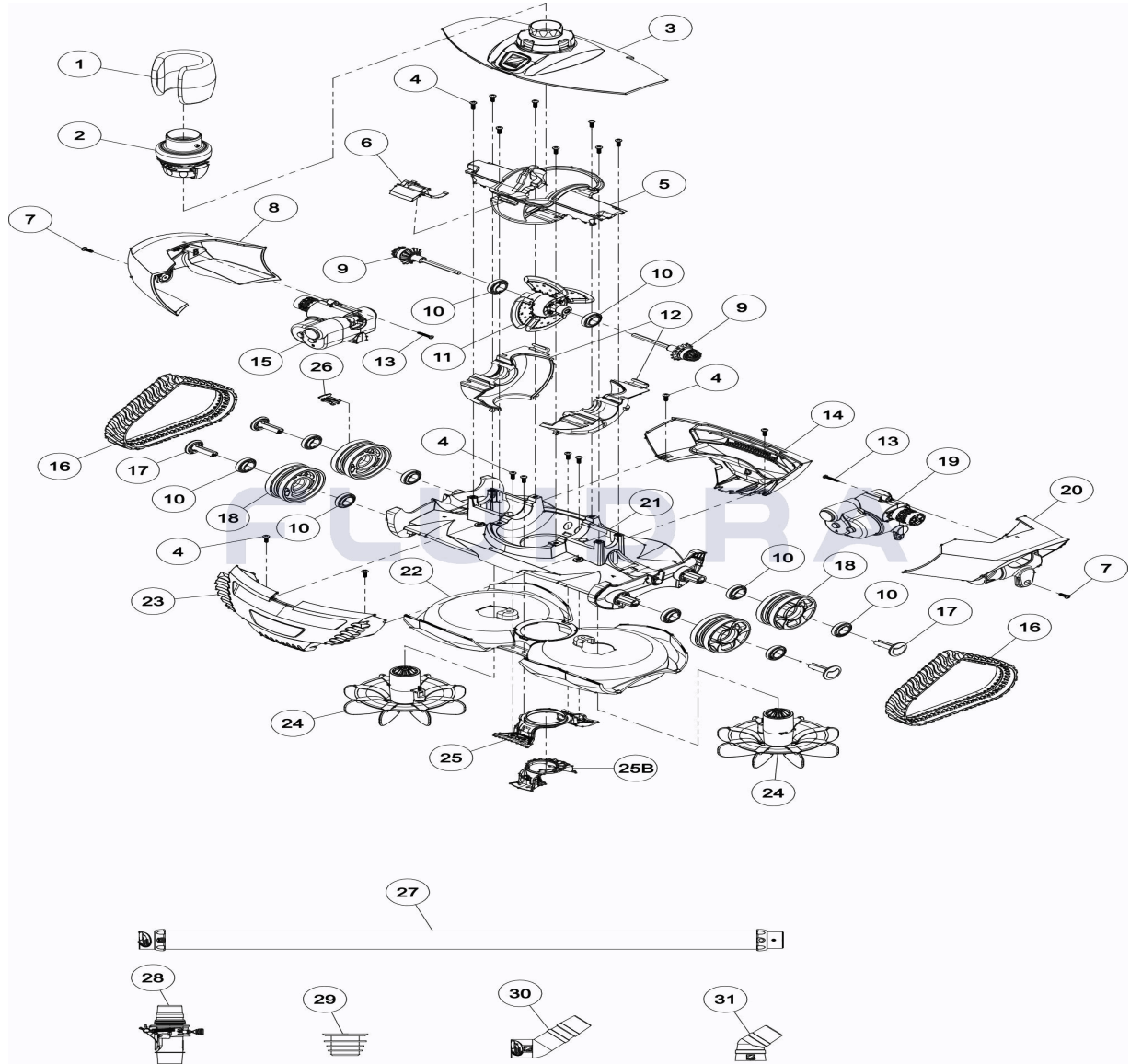


CODIGO **W70668**

 DESCRIPCION: **MX8™**

ESPAÑOL

POS	CODIGO	DESCRIPCION	CANTIDAD	POS	CODIGO	DESCRIPCION	CANTIDAD
1	W79032P	FLOTADOR DE MANGUERA		15	W79012	DISPOSITIVO DE CONTROL DE DIRECCIÓN	
2	60001100	CONECTOR RÁPIDO (AZUL)		16	W79025	CORREA ORUGA TRACCIÓN DENTADA	
3	W79018	TAPA SUPERIOR CON RÓTULA GIRATORIA		17	W79065	PERNO DE FIJACIÓN DE LA RUEDA	
4,7	W79035	TORNILLO M4X12MM, PHILLIPS #2 CABEZA		18	W79024	RUEDA	
5	W79066	CARCASA DEL MOTOR CENTRAL		19	W79011	DISPOSITIVO DE CONTROL DE DIRECCIÓN	
5	W79029	JUNTA MOTOR		20	W79031	CARCASA LATERAL IZQUIERDA (A)	
5	W79028	RAMPA MOTOR		21	W79062	CONJUNTO CUERPO INFERIOR CHASIS	
6	W79027	PESTILLO CLIP DE CIERRE DE LA TAPA		22	W79021	CARCASA INFERIOR	
8	W79030	CARCASA LATERAL DERECHA (B)		23	W79019	CARCASA FRONTAL (C)	
9	W79015	ENGRANAJE LATERAL DEL EJE DEL MOTOC		24	W79014	HÉLICE DE LIMPIEZA (UNIDAD)	
10	W79034	COJINETE, (RUEDA Y MOTOR)		25	W79017	BOQUILLA DE ASPIRACIÓN	
11	W79013	CONJUNTO SOPORTE ALETAS DEL MOTOI		25B	W79047P	ADAPTADOR DE BOQUILLA DE ASPIRACIÓN	
12	W79022	CONJUNTO CARCASA DEL MOTOR INFERI		26	A0235200	INDICADOR VELOCIDAD RUEDA	

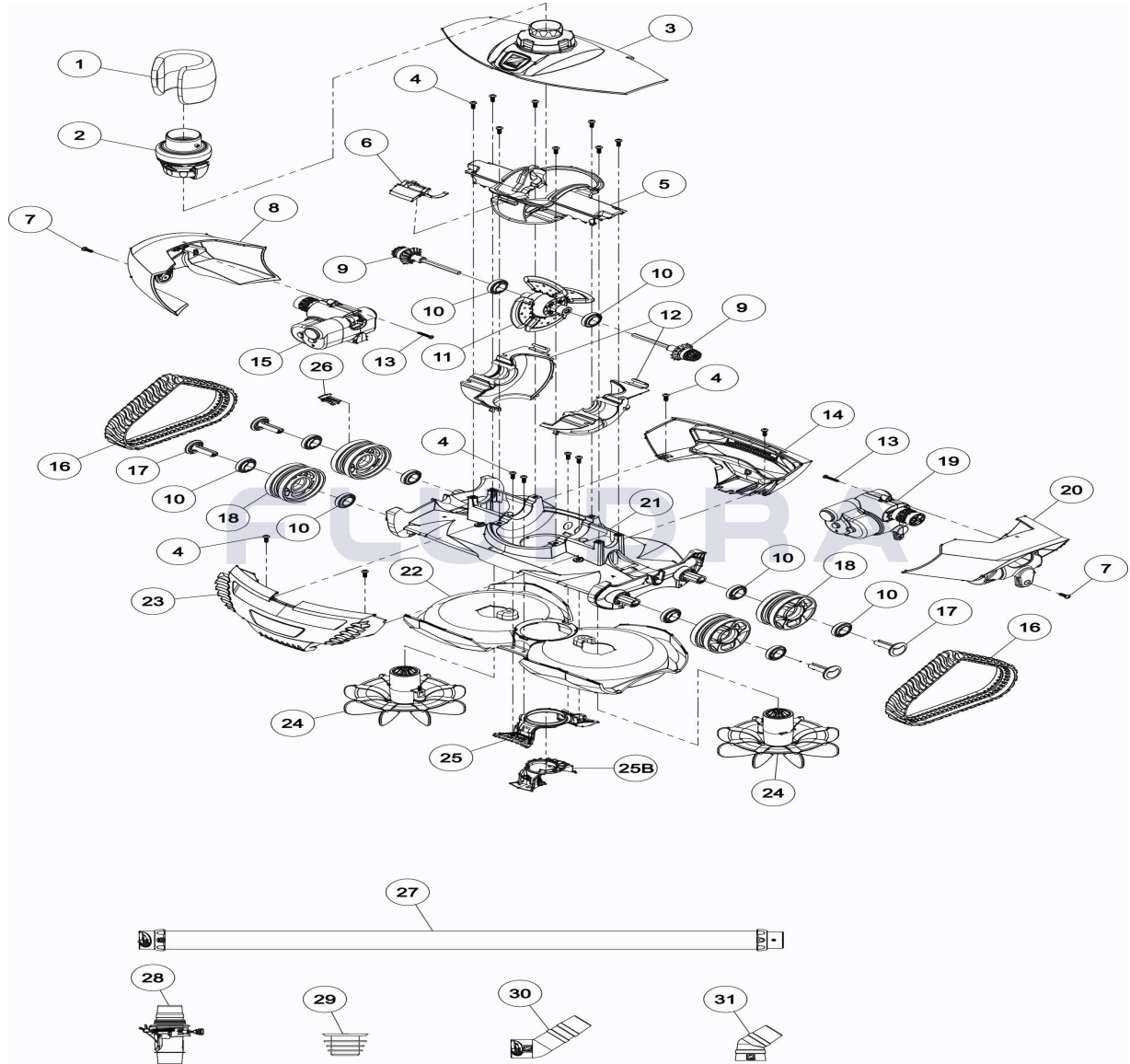
CODIGO **W70668**DESCRIPCION: **MX8™**

13	W79036	TORNILLO, FORMACIÓN DE LA RANURA, #	27	W78055	JUEGO DE 6 TUBOS DE UN METRO TWIST
14	W79020	CARCASA MÓDULO POSTERIOR (D)	28	W60055P	VÁLVULA DE REGULACIÓN AUTOMÁTICA D
29	W69657P	ADAPTADOR CÓNICO	-	W79033P	CONECTOR RÁPIDO (AZUL)
30	W73011P	CODO CONECTOR ACCESORIO 45 CON TV	-	W37110	CYCLONIC™ LEAF CATCHER
31	W70244	CODO CONECTOR DE 45 GRADOS	-	* R0806000	TUNE UP KIT

CODIGO **W70668**DESCRIPCION: **MX8™****OBSERVACIONES**

POS	CODIGO	OBSERVACIONES
-	* R0806000	PARA: COMPUESTO POR/ COMPOSED BY: POS. 7, 9, 10, 11, 15, 16, 19

CODE **W70668**

 DESCRIPTION: **MX8™**

FRANCAIS

POS	CODE	DESCRIPTION	QUANTITE	POS	CODE	DESCRIPTION	QUANTITE
1	W79032P	FLOTTEUR DE TUYAU		15	W79012	DIRECTION - (CÔTÉ B)	
2	60001100	RÉGULATEUR DE DÉBIT		16	W79025	CHENILLE	
3	W79018	CAPOT SUPÉRIEUR AVEC JOINT TOURNAI		17	W79065	GOUPILLE ROUE	
4,7	W79035	VIS M4X12 MM, PHILLIPS #2 TÊTE PLATE		18	W79024	ROUE	
5	W79066	LOGEMENT CENTRAL MOTEUR		19	W79011	DIRECTION - (CÔTÉ A)	
5	W79029	ENGINE SEAL (PRIX À L'UNITÉ, À COMMAN		20	W79031	PANNEAU - GAUCHE (A)	
5	W79028	ENGINE RAMP		21	W79062	CHASSIS	
6	W79027	VERROU DE CAPOT		22	W79021	COQUE INFÉRIEUR	
8	W79030	PANNEAU DROIT - (B)		23	W79019	PANNEAU - AVANT (C)	
9	W79015	ASSEMBLAGE AXE		24	W79014	ASSEMBLAGE PÂLES	
10	W79034	ROULEMENT (ROUE ET MOTEUR)		25	W79017	BOUCHE D'ASPIRATION	
11	W79013	ASSEMBLAGE MOTEUR		25B	W79047P	ADAPTATEUR BOUCHE D'ASPIRATION	
12	W79022	LOGEMENT MOTEUR INFÉRIEUR - CÔTÉ A		26	A0235200	INDICATEUR DE VITESSE ROUE	

CODE **W70668**DESCRIPTION: **MX8™**

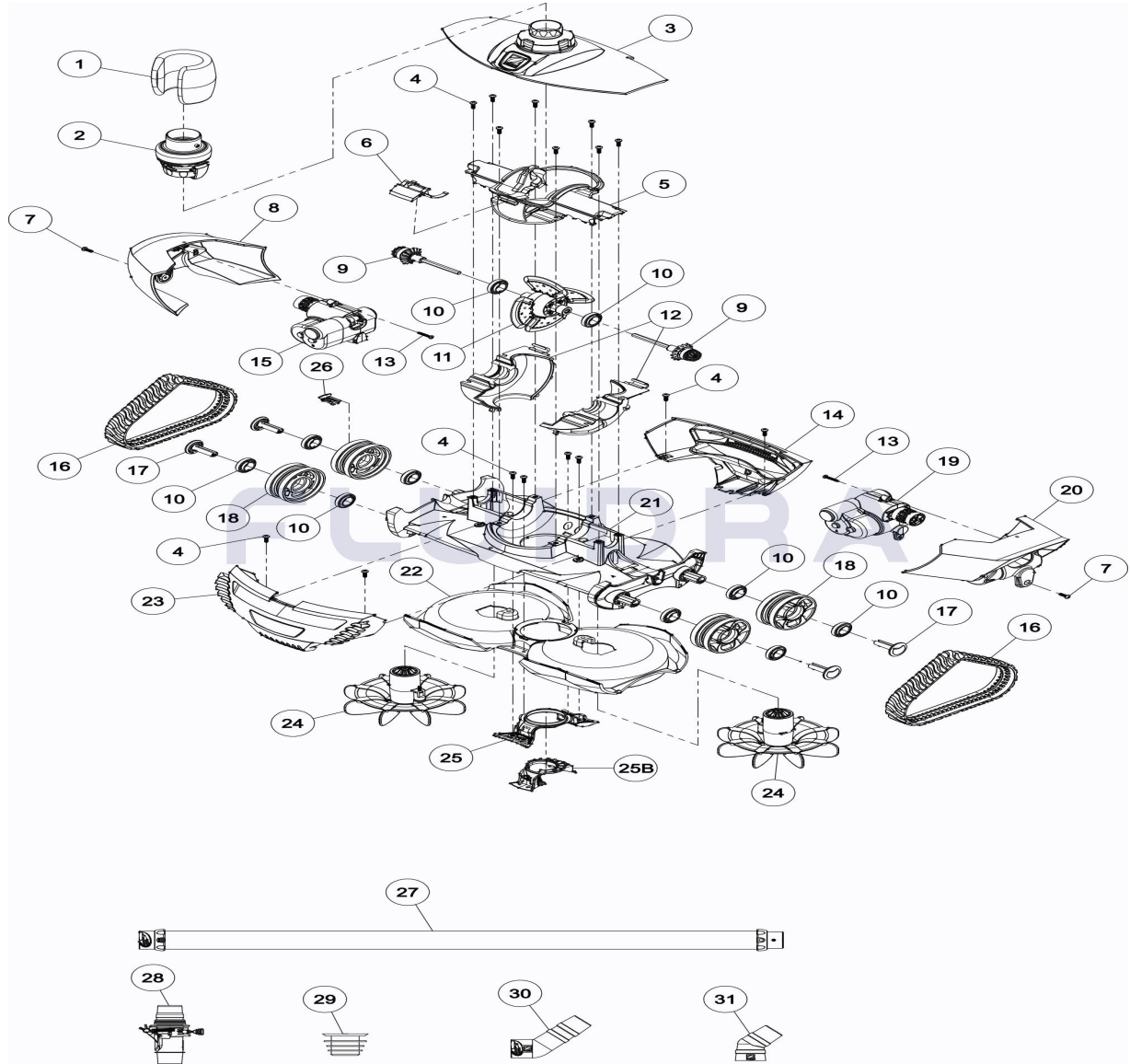
13	W79036	VIS, AUTO FOREUSE, #6-18 7/8IN TYPE A, I	27	W78055	JEU DE 6 SECTIONS DE TUYAUX DE 1 MÈT
14	W79020	PANNEAU - ARRIÈRE (R)	28	W60055P	VANNE DE RÉGLAGE AUTOMATIQUE DU DI
29	W69657P	ADAPTATEUR CONIQUE	-	W79033P	CONNECTEUR RAPIDE BLEU
30	W73011P	COUDE TWIST LOCK 45 DEGRÉS ALLONGI	-	W37110	CYCLONIC™ LEAF CATCHER
31	W70244	COUDE 45 DEGRÉS	-	* R0806000	TUNE UP KIT

CODE **W70668**DESCRIPTION: **MX8™**

OBSERVATIONS

POS	CODE	OBSERVATIONS
-	* R0806000	POUR: COMPUSTO POR/ COMPOSED BY: POS. 7, 9, 10, 11, 15, 16, 19

CODE **W70668**

 DESCRIPTION: **MX8™**

ENGLISH

POS	CODE	DESCRIPTION	QUANTITY	POS	CODE	DESCRIPTION	QUANTITY
1	W79032P	HOSE FLOAT		15	W79012	REVERSING ASSEMBLY - SIDE B	
2	60001100	FLOW REGULATOR VALVE		16	W79025	TRACK	
3	W79018	TOP COVER/SWIVEL ASSEMBLY		17	W79065	WHEEL PIN	
4,7	W79035	SCREW M4X12MM PHILLIPS #2 PAN HEAD		18	W79024	WHEEL	
5	W79066	MIDDLE DRIVE MOTOR HOUSING		19	W79011	REVERSING ASSEMBLY - SIDE A	
5	W79029	ENGINE SEAL		20	W79031	BODY PANEL - LEFT	
5	W79028	ENGINE RAMP		21	W79062	CHASSIS ASSEMBLY	
6	W79027	COVER LATCH 1		22	W79021	LOWER BODY HOUSING	
8	W79030	BODY PANEL - RIGHT		23	W79019	BODY PANEL - FRONT	
9	W79015	DRIVE SHAFT ASSEMBLY		24	W79014	SCRUBBER ASSEMBLY	
10	W79034	BEARING (WHEEL & ENGINE)		25	W79017	INLET ASSEMBLY	
11	W79013	DRIVE MOTOR ASSEMBLY		25B	W79047P	REGULAR OPENING	
12	W79022	LOWER DRIVE MOTOR HOUSING - SIDE A		26	A0235200	WHEEL SPEED INDICATOR	

* SEE OBSERVATIONS SHEET

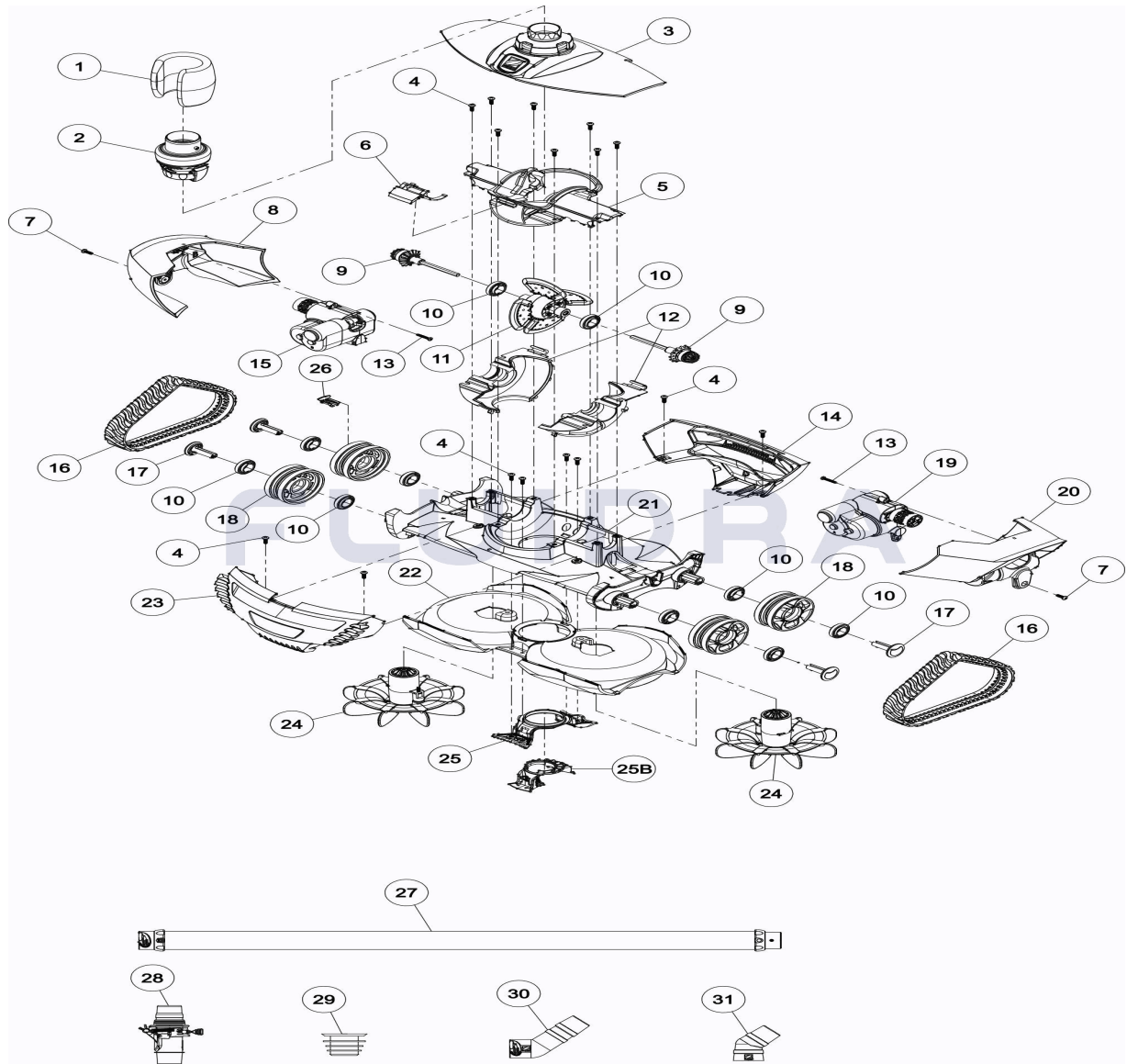
CODE **W70668**DESCRIPTION: **MX8™**

13	W79036	SCREW THREAD FORMING #6-18 7/8IN TYI	27	W78055	SET OF 6 X 1 M TWIST LOCK HOSES
14	W79020	BODY PANEL - REAR	28	W60055P	AUTOMATIC FLOW RATE ADJUSTMENT VAL
29	W69657P	CONICAL ADAPTOR	-	W79033P	QUICK CONNECTOR, BLUE
30	W73011P	TWIST-LOCK 45 DEG ELBOW EXTENDED	-	W37110	LEAF TRAP (NON CONTRACTUAL PHOTOS.
31	W70244	45-DEGREE ELBOW	-	* R0806000	TUNE UP KIT

CODE **W70668**DESCRIPTION: **MX8™****OBSERVATIONS**

POS	CODE	OBSERVATIONS
-	* R0806000	FOR: COMPUESTO POR/ COMPOSED BY: POS. 7, 9, 10, 11, 15, 16, 19

CODICE **W70668**

 DESCRIZIONE: **MX8™**

ITALIANO

POS	CODICE	DESCRIZIONE	QUANTITA'	POS	CODICE	DESCRIZIONE	QUANTITA'
1	W79032P	GALLEGGIANTE DEL TUBO		15	W79012	DIREZIONE (LATO B)	
2	60001100	CONNETTORE RAPIDO (BLU)		16	W79025	CINGOLO	
3	W79018	CALOTTA SUP. CON GUARNIZIONE		17	W79065	COPIGLIA RUOTA	
4,7	W79035	VITE M4X12 MM		18	W79024	RUOTA	
5	W79066	ALLOGGIO CENTRALE MOTORE		19	W79011	DIREZIONE (LATO A)	
5	W79029	GUARNIZIONE MOTORE (PREZZO UNI		20	W79031	PANNELLO - SINISTRA (A)	
5	W79028	SCIVOLO MOTORE		21	W79062	TELAIO	
6	W79027	CHIUSURA CALOTTA		22	W79021	GUSCIO INFERIORE	
8	W79030	PANNELLO DESTRO (B)		23	W79019	PANNELLO - ANTERIORE (C)	
9	W79015	ASSEMBLAGGIO ASSE		24	W79014	ASSEMBLAGGIO LAME	
10	W79034	CUSCINETTO A SFERA		25	W79017	BOCCA DI ASPIRAZIONE	
11	W79013	ASSEMBLAGGIO MOTORE		25B	W79047P	ADATTATORE BOCCA ASPIRAZIONE	
12	W79022	ALLOGGIO MOTORE INFERIORE		26	A0235200	INDICATORE DI VELOCITÀ RUOTA	

* SI FACCIA RIFERIMENTO AL FOGLIO DELLE OSSERVAZIONI

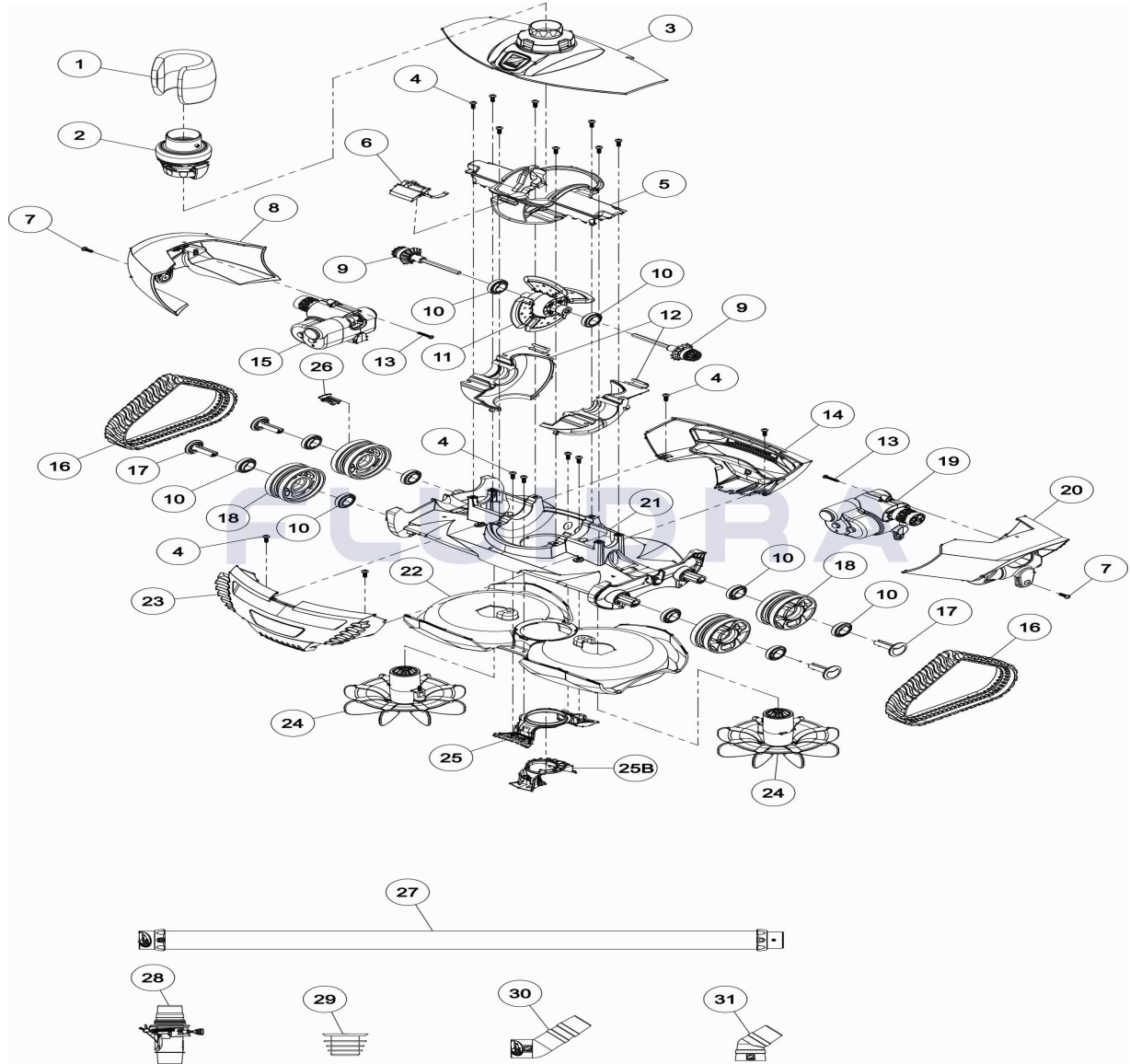
CODICE **W70668**DESCRIZIONE: **MX8™**

13	W79036	VITE AUTOPERFORANTE #6-18 7/8	27	W78055	KIT 6 TUBAZIONI TWIST LOCK 1M
14	W79020	PANNELLO - POSTERIORE (R)	28	W60055P	VALV.REGOLAZIONE AUTOM.PORTATA
29	W69657P	ADATTATORE CONICO	-	W79033P	RACCORDO RAPIDO BLU
30	W73011P	CURVA GOMITO TWIST LOCK 45°	-	W37110	CYCLONIC LEAF TRAP
31	W70244	CURVA A GOMITO 45°	-	* R0806000	TUNE UP KIT

CODICE **W70668**DESCRIZIONE: **MX8™****OSSERVAZIONI**

POS	CODICE	OSSERVAZIONI
-	* R0806000	PER: COMPUESTO POR/ COMPOSED BY: POS. 7, 9, 10, 11, 15, 16, 19

CODE **W70668**

 BESCHREIBUNG: **MX8™**

DEUTSCH

POS	CODE	BESCHREIBUNG	MENGE	POS	CODE	BESCHREIBUNG	MENGE
1	W79032P	AUFTRIEBSKÖRPER F. MX8		15	W79012	GETRIEBEEINHEIT LINKS MX8/MX9	
2	60001100	SCHNELLANSCHLUSS (BLAU)		16	W79025	RAUPENBAND MX8/MX9	
3	W79018	GEHÄUSEDECKEL OBEN MX8		17	W79065	RADBEFESTIGUNG F. MX8	
4,7	W79035	SCREWS, M4X12MM		18	W79024	RAD F. MX8	
5	W79066	MOTORGEHÄUSE, OBEN F. MX8		19	W79011	GETRIEBEEINHEIT RECHTS MX8/MX9	
5	W79029	ENGINE SEAL		20	W79031	GEHÄUSETEIL, LINKS F. MX8	
5	W79028	ENGINE RAMP		21	W79062	GRUNDKÖRPER F. MX8	
6	W79027	MX8 BODY LATCH BUTTON		22	W79021	GEHÄUSETEIL UNTEN F. MX8	
8	W79030	GEHÄUSETEIL RECHTS F. MX8		23	W79019	GEHÄUSETEIL, VORNE F. MX8	
9	W79015	ANTRIEBSACHSE F. MX8		24	W79014	SAUGPROPELLER F. MX8	
10	W79034	KUGELLAGER		25	W79017	ANSAUGSTUTZEN F. MX8	
11	W79013	ANTRIEBSMOTOR F. MX8		25B	W79047P	ANSAUGSTUTZEN OBERTEIL MX8	
12	W79022	MOTORGEHÄUSE, SEITENTEILE MX8		26	A0235200	INDICATEUR DE VITESSE ROUE	

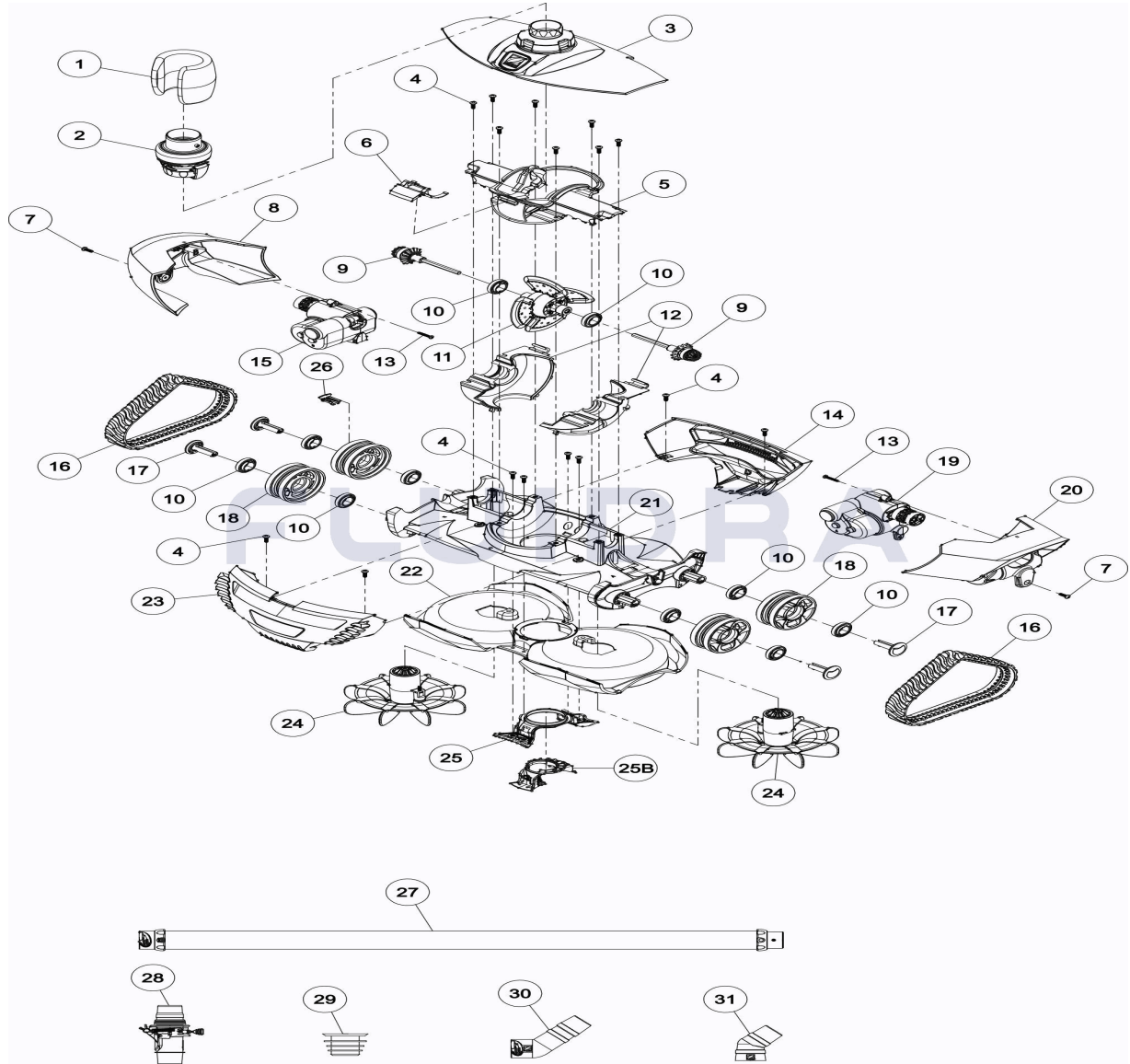
CODE **W70668**BESCHREIBUNG: **MX8™**

13	W79036	SCREWS, TREAD FORMING	27	W78055	SCHLAUCHPAKET (6 X 1M STÜCK)
14	W79020	GEHÄUSE RÜCKSEITE F. MX8	28	W60055P	STEUERVENTIL-DURCHFLUSSMENGE
29	W69657P	ANSCHLUSSSTÜCK, KONISCH F.	-	W79033P	SCHLAUCHADAPTER
30	W73011P	BOGENSTÜCK 45 GRAD F. MX8	-	W37110	LAUBFÄNGER ZODIAC 2012
31	W70244	BOGENSTÜCK 45 GRAD	-	* R0806000	TUNE UP KIT

CODE **W70668**BESCHREIBUNG: **MX8™****HINWEISE**

POS	CODE	HINWEISE
-	* R0806000	FÜR: COMPUESTO POR/ COMPOSED BY: POS: 7, 9, 10, 11, 15, 16, 19

CODIGO **W70668**

 DESCRIÇÃO: **MX8™**

PORTUGUES

POS	CODIGO	DESCRIÇÃO	JANTIDADE	POS	CODIGO	DESCRIÇÃO	JANTIDADE
1	W79032P	FLUTUADOR MANGUEIRA MX8		15	W79012	DISPOS.CONTROL DIRECÇÃO LADO B	
2	60001100	VÁLVULA REGULADORA DE CAUDAL (AZUI)		16	W79025	LAGARTA TRACÇÃO MX8	
3	W79018	TAMPA DA RÓTULA SUPERIOR		17	W79065	PIN FIXAÇÃO DA RODA	
4,7	W79035	PARAFUSO#6-18 7/8 TIPOA PHI.#2		18	W79024	RODA MX8	
5	W79066	ESTRUTURA DO MOTOR CENTRAL		19	W79011	DISPOS.CONTROL DIREÇÃO LADO A	
5	W79029	ENGINE SEAL		20	W79031	CARÇAÇA LATERAL ESQUERDA (A)	
5	W79028	ENGINE RAMP		21	W79062	CONJ CORPO INFERIOR ESTRUTURA	
6	W79027	TRINCO CLIP DE FECHO DA TAMPA		22	W79021	ESTRUT INFERIOR HÉLICE LIMPEZA	
8	W79030	ESTRUTURA LATERAL DIREITA (B)		23	W79019	ESTRUTURA FRONTAL (C)	
9	W79015	ENGRENAGEM LATERAL EIXO MOTOR		24	W79014	HÉLICE DE LIMPEZA	
10	W79034	ROLAMENTO DE ESFERAS		25	W79017	BOCA DE ASPIRAÇÃO	
11	W79013	CONJ SUPORTE ALETAS DO MOTOR		25B	W79047P	ADAPTADOR BOCA DE ASPIRAÇÃO	
12	W79022	CONJ ESTRUTURA MOTOR INFERIOR		26	A0235200	INDICATEUR DE VITESSE ROUE	

* VEJA A FICHA DE OBSERVAÇÕES

CODIGO **W70668**DESCRIÇÃO: **MX8™**

13	W79036	PARAFUSO MX8 CABEÇA CILÍNDRICA	27	W78055	PACK 6 MANGUEIRAS 1M TWISTLOCK
14	W79020	ESTRUTURA MÓDULO POSTERIOR (D)	28	W60055P	VÁLVULA REGULAÇÃO AUTO CAUDAL
29	W69657P	ADAPTADOR CÔNICO	-	W79033P	CONECTOR RÁPIDO (AZUL)
30	W73011P	COTOVELO CONECTOR DE 45 GRAUS	-	W37110	CYCLONIC TM LEAF CATCHER
31	W70244	COTOVELO CONECTOR DE 45 GRAUS	-	* R0806000	TUNE UP KIT

CODIGO **W70668**DESCRIÇÃO: **MX8™****OBSERVAÇÕES**

POS	CODIGO	OBSERVAÇÕES
-	* R0806000	PARA: COMPUESTO POR/ COMPOSED BY: POS. 7, 9, 10, 11, 15, 16, 19