

Tribeca Aleternum®



STYLE: FOREST GREEN



SPECIAL: HAMMERED BLACK



Low thermal inertia



Low water content



Versatility

16
bar

Maximum working pressure

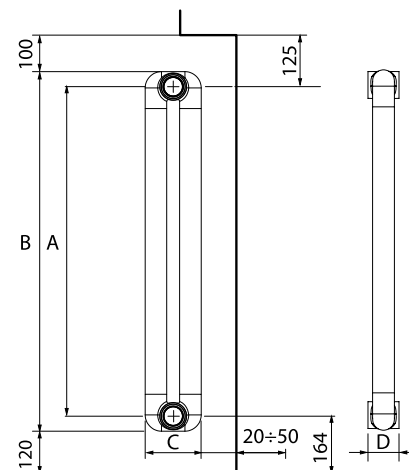


Available in 18 colors



Tribeca radiator: without decoration.

Standard supply	235 - 335 - 350 - 435 500 - 535 - 600	from 4 to 20 elements
	685 - 700 - 800 - 835	from 4 to 16 elements
	900 - 935 - 1000 - 1135 1200 - 1400 - 1435 1600 - 1735 - 1935	from 4 to 9 elements
	1800 - 2000	from 4 to 12 elements
Colours	see colors table	
Maximum working pressure	16 bar	
Test pressure	24 bar	
Aleternum treatment	Supplied as standard	



MEASURES EXPRESSED IN MILLIMETRES

Model	Heat output					
	ΔT 20	ΔT 30	ΔT 40	ΔT 50	ΔT 60	ΔT 70
	W/sect.	W/sect.	W/sect.	W/sect.	W/sect.	W/sect.
235	9,6	16,0	23,1	30,6	38,6	46,9
335	12,5	21,1	30,5	40,5	51,1	62,3
350	13,0	21,8	31,5	41,9	52,9	64,4
435	15,2	25,6	37,1	49,4	62,5	76,1
500	16,9	28,5	41,3	55,1	69,7	85,0
535	17,8	30,1	43,6	58,2	73,6	89,8
600	19,5	32,9	47,8	63,8	80,8	98,6
685	21,6	36,6	53,3	71,2	90,2	110,2
700	22,0	37,3	54,2	72,5	91,8	112,2
800	24,5	41,6	60,6	81,1	102,8	125,8
835	25,4	43,1	62,8	84,1	106,7	130,5
900	27,0	45,9	67,0	89,7	113,9	139,3

Model	Heat output					
	ΔT 20	ΔT 30	ΔT 40	ΔT 50	ΔT 60	ΔT 70
	W/sect.	W/sect.	W/sect.	W/sect.	W/sect.	W/sect.
935	27,9	47,5	69,2	92,7	117,7	144,0
1000	29,6	50,3	73,4	98,3	124,9	152,8
1135	33,0	56,2	82,0	110,0	139,8	171,2
1200	34,6	59,9	87,5	115,7	149,3	182,8
1400	39,7	67,9	99,2	133,3	169,6	207,9
1435	40,7	69,5	101,6	136,4	173,5	212,7
1600	45,1	77,1	112,6	151,2	192,3	235,6
1735	48,9	83,4	121,8	163,4	207,8	254,6
1800	50,7	86,4	126,3	169,4	215,4	263,9
1935	54,5	92,9	135,7	181,9	231,3	283,3
2000	56,4	96,1	140,2	188,1	239,0	292,7

Model	Depth	Height	Centre distance	Length	Connection diameters	Water capacity	Exponent	Coefficient	Price €*
	(C) mm	(B) mm	(A) mm	(D) mm/sect.	inches	litres/sect.	n	Km	
235	90	284	235	50	G1	0,43	1,2665	0,2158	29,10
335	90	384	335	50	G1	0,58	1,2792	0,2718	29,80
350	90	399	350	50	G1	0,71	1,2800	0,2799	29,80
435	90	484	435	50	G1	0,85	1,2849	0,3243	31,00
500	90	549	500	50	G1	0,95	1,2885	0,3566	31,40
535	90	584	535	50	G1	1,00	1,2905	0,3734	31,70
600	90	649	600	50	G1	1,10	1,2942	0,4037	32,10
685	90	734	685	50	G1	1,15	1,2990	0,4418	32,70
700	90	749	700	50	G1	1,18	1,2999	0,4484	32,80
800	90	849	800	50	G1	1,34	1,3055	0,4907	34,00
835	90	884	835	50	G1	1,38	1,3075	0,5050	34,20
900	90	949	900	50	G1	1,50	1,3091	0,5353	34,80
935	90	984	935	50	G1	1,56	1,3100	0,5514	35,00
1000	90	1049	1000	50	G1	1,66	1,3115	0,5812	35,30
1135	90	1184	1135	50	G1	1,88	1,3149	0,6420	36,40
1200	90	1249	1200	50	G1	1,98	1,3164	0,6709	36,90
1400	90	1449	1400	50	G1	2,28	1,3213	0,7583	38,90
1435	90	1484	1435	50	G1	2,36	1,3210	0,7771	39,10
1600	90	1649	1600	50	G1	2,60	1,3192	0,8673	40,20
1735	90	1784	1735	50	G1	2,85	1,3178	0,9430	41,10
1800	90	1849	1800	50	G1	2,95	1,3171	0,9801	42,10
1935	90	1984	1935	50	G1	3,10	1,3156	1,0585	43,00
2000	90	2049	2000	50	G1	3,22	1,3150	1,0970	43,70

* The prices indicated refer to the PURE WHITE RAL 9010 colour (Cod. 04).

Maximum working pressure: 1600 kpa (16 bar) Maximum working temperature: 120 °C

Characteristic equation of the model $\Phi = Km \Delta T^n$

The thermal efficiency values shown comply with the European Standard EN 442-1:2014 and are certified by the MRT Lab of the Milan Polytechnic, notified body №1695.

CODE OBTAINING EXAMPLE

Tribeca radiator 600 from 10 sections PURE WHITE RAL 9010 colour
 Ex: **EA20C0 + 04 + 10**

Tribeca radiator 600 from 12 sections SILVER colour
 Ex: **EA20C0 + 07 + 12**

To obtain the radiator code, it is necessary to add the code to the four final digits relating to the colour and number of elements.

Model	Code
235	EA21A0 xx xx
335	EA21B0 xx xx
350	EA20A0 xx xx
435	EA21C0 xx xx
500	EA20B0 xx xx
535	EA21D0 xx xx
600	EA20C0 xx xx
685	EA21E0 xx xx

Model	Code
700	EA20D0 xx xx
800	EA20E0 xx xx
835	EA21F0 xx xx
900	EA20F0 xx xx
935	EA21G0 xx xx
1000	EA20G0 xx xx
1135	EA21H0 xx xx
1200	EA20H0 xx xx

Model	Code
1400	EA20I0 xx xx
1435	EA21I0 xx xx
1600	EA20L0 xx xx
1735	EA21L0 xx xx
1800	EA20M0 xx xx
1935	EA21M0 xx xx
2000	EA20N0 xx xx

COLOURS

See table on the following page

Item	Description	Colour	Code	Price €
	Fixing kit with pincers + plugs and adapters: 1 Flat ½ bleed valve 2 Plastic covers 1 Flat ½ plug 2 ½ Rh adapters 2 ½ Lh adapters 3 Metal sheet brackets 3 Plastic covers 3 White Rh pincers 3 White Lh pincers 4 1" O-ring seals 1 Retainer rubber cap	PURE WHITE RAL 9010	550122	79,05
		NEUTRAL WHITE	55012206	
		SILVER	55012207	
		BRONZE	55012208	
		LIGHT SHELL	55012209	
		LIGHT GREY	55012210	
		MIDNIGHT BLUE	55012211	
		MIDNIGHT GREEN	55012212	
		CHOCOLATE	55012213	
		DUSTY ROSE	55012215	
		FOREST GREEN	55012216	
		HAMMERED BLACK	55012217	
		THE FONDITAL RED	550122BL	
		SLATE GREY	550122E	
		BLACK RAVEN	550122L	
		GRAPHITE	550122R	
BLACK COFFEE	550122V			

Item	Description	Code	Price €
	Towel rail kit with decoration of 237 mm	570125	154,32
	Towel rail kit with decoration of 337 mm	570126	166,67
	Towel rail kit with decoration of 437 mm	570127	172,84
	Towel rail kit with decoration of 537 mm	570128	183,95
	A 30/2 Lockshield plug for Mood - Tribeca 50 mm (water diaphragm)	521011M	0,93
	A 32/1 O-ring seal for nipples, plugs and adapters	530102	0,62
	A 33/1 Nipple for home furnishing radiators	521012	0,49
	A 74 Fixing kit for horizontal installation, colour white n° 4	550120	19,51
	A 75 Fixing kit for horizontal installation, colour white n° 4	550121	60,00

CLASSIC



 <p>PURE WHITE RAL 9010 Cod.04</p>	 <p>NEUTRAL WHITE Cod.06</p>	 <p>SILVER Cod.07</p>	 <p>GRAPHITE Cod.3R</p>	 <p>SLATE GREY Cod.3B</p>
 <p>BLACK COFFEE Cod.3V</p>		 <p>BRONZE Cod.08</p>		

Coloured versions: price increase 35% of a PURE WHITE RAL 9010 for CLASSIC colours

STYLE

 <p>LIGHT SHELL Cod.09</p>	 <p>LIGHT GREY Cod.10</p>	 <p>MIDNIGHT GREEN Cod.12</p>	 <p>MIDNIGHT BLUE Cod.11</p>	 <p>BLACK RAVEN Cod.3L</p>
 <p>CHOCOLATE Cod.13</p>	 <p>CINNAMON Cod.14</p>	 <p>FOREST GREEN Cod.16</p>	 <p>DUSTY ROSE Cod.15</p>	

SPECIAL

 <p>THE FONDITAL RED Cod.2A</p>	 <p>HAMMERED BLACK Cod.17</p>
---	--

The colours shown are merely indicative and not binding, as they may slightly differ, due to the printing process.

Coloured versions: price increase 45% of a PURE WHITE RAL 9010 for STYLE and SPECIAL colours

