



DAB PUMPS S. p. A.
Via Marco Polo, 14 - 35035 Mestrino (PD) - ITALY
Tel. +39 049 5125000 - Fax +39 049 5125950
[Http://www.dabpumps.com](http://www.dabpumps.com)

-
Telefono

-
To the attention of

Emitida el:

Subject:

Sincerely,

Telefono
Cell.



QUOTATION

DAB PUMPS S.p.A.
Via Marco Polo, 14 - 35035 Mestrino (PD), Italy
Tel. +39 049 5125000 - Fax +39 049 5125950
www.dabpumps.com

07/10/2024

Página 2 / 5

Destinatario

Remitente

Empresa
Referencia
Dirección
Telefono
Fax
E-mail

Pos.	Ref.	Denominación	Cant.
1		1-2-3 KVC AD (Q= H=)	
1.1	60122667	<p>Bomba centrífuga: 2 KVC AD 60/120 T 2 KVC AD 60/120 T</p> <p>TECHNICAL DATA Flow rate minimum and maximum: From 0,5 m³/h up to 23,86 m³/h Head up to: 78,33 m Type of pumped liquid: Clean, free of solid or abrasive substances, non-viscous, non-aggressive, non-crystallized and chemically neutral Min. and max. supported liquid temperature: From 0°C to +40°C Maximum ambient temperature: +40°C (+50°C on request) Maximum operating pressure bar / kPa: 12 bar / 1200 kPa Class of protection: IP 55 Motor insulation class: F Impeller/s material: Technopolymer Single phase power input: 230 V 50 Hz Three phase power input: 3x230 V 50 Hz / 3x400 V 50 Hz / 3x400 V 50 Hz + N Certification: WRAS</p> <p>Electronic booster unit for pressurization, gardening and irrigation in residential building service, commercial building service and agriculture. Reliable with minimal maintenance. One expansion tank per unit. WRAS certification for use with drinkable water. DConnect compatible (with DConnect box supplied separately)</p> <p>CONSTRUCTION FEATURES OF THE PUMP Centrifugal multi-impeller pump KVC, intake and delivery manifolds in AISI 304 stainless steel, ball valves with suction and delivery union and delivery check valves in each pump, AISI 304 stainless steel caps.</p> <p>CONSTRUCTION FEATURES OF THE MOTOR Air-cooled asynchronous motor, AISI 303 stainless steel motor shaft.</p> <p>CONSTRUCTION FEATURES OF THE ELECTRONIC Active Driver Plus is a variable frequency drive for controlling pressurization pumps. It is able to maintain constant water pressure. The display facilitates the control and the selection of the operating parameters also through a guided procedure of first start (wizard) during which the user is guided step by step in the insertion of the operating parameters. The variable frequency drive allows energy saving and water hammer protection. Inside the body there are a pressure sensor, a flow switch and a non-return valve. Integrated thermo-amperometric protection against abnormal voltages, overtemperature and frost. In groups, the second and third pumps are started in cascade, when the first pump reaches the maximum rotation speed. The pressure is adjustable by the user. It is possible to set working times for each pump with exchange of operation after the set time. The display shows: operating frequency, instantaneous pressure, current consumption, operating alarms. Suction port of 1 1/4" male, delivery port 1 1/2" female.</p>	1

Proyecto	ID proyecto	Creado por	Creado el 07/10/2024	Ultima actualización 07/10/2024
----------	-------------	------------	-------------------------	------------------------------------

Destinatario

Empresa
Referencia
Dirección
Telefono
Fax
E-mail

Remitente

Código artículo :

60122667

Customer pos. no.:

Artículo:

2 KVC AD 60/120 T



Datos bomba

MEI \geq 0,50

Presión nominal: 1.200 kPa

Temperatura mín. fluido: 0 °C

Temperatura máx. fluido: 40 °C

Temperatura ambiente máx.: 40 °C

Grado de protección: IP 55

Datos de servicio requeridos

Caudal :

Altura impulsión :

Fluido bombeado : Agua

Temperatura fluido: 20 °C

Densidad 998,3 kg/m³

Viscosidad cinemática: 1,005 mm²/s

Presión del vapor: 2,34 kPa

Datos hidr. (Punto de trabajo)

Caudal :

Altura impulsión :

Datos motor

Brand: DAB

Potencia nominal P2: 2 x 2,2 kW

Velocidad nominal: 2.800 1/min

Tensión nominal: 3~ 400 V 50 Hz

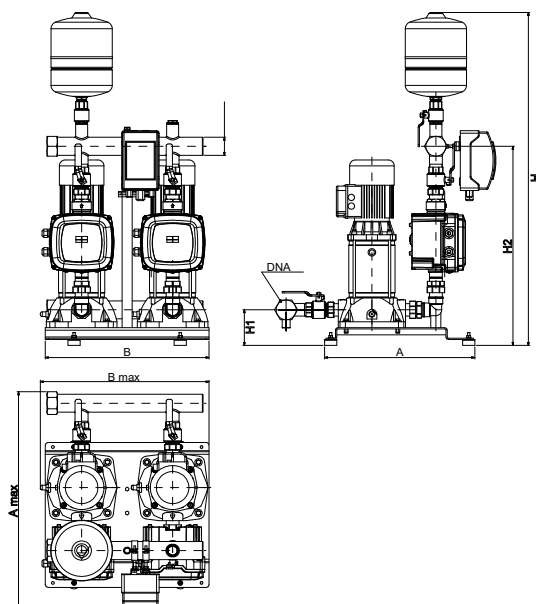
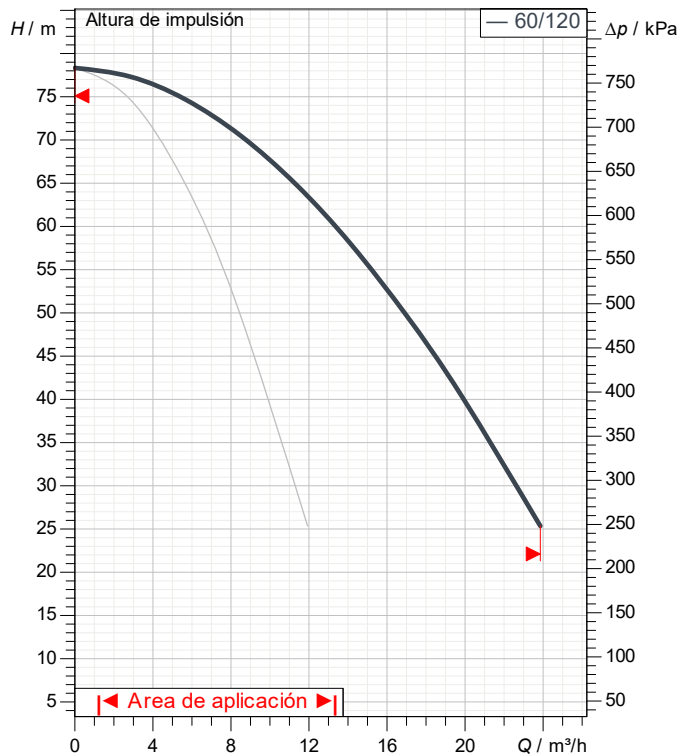
Corriente nominal (grupo): 2 x 5,4 A

Grado de protección: IP 55

Dimensiones exteriores

A	495		
A max	729		
B	540		
B max	556		
DNA	2"		
DNM	2"		
H	1.115		
H1	119		
H2	667		

Tolerancia de curva acorde a ISO 9906



Peso : 89 kg

Conexiones bomba

Lado aspiración 2" / 1.200 kPa

Lado impulsión 2" / 1.200 kPa



CURVAS CARACTERISTICAS

07/10/2024

Página 4 / 5

DAB PUMPS S.p.A.
Via Marco Polo, 14 - 35035 Mestrino (PD), Italy
Tel. +39 049 5125000 - Fax +39 049 5125950
www.dabpumps.com

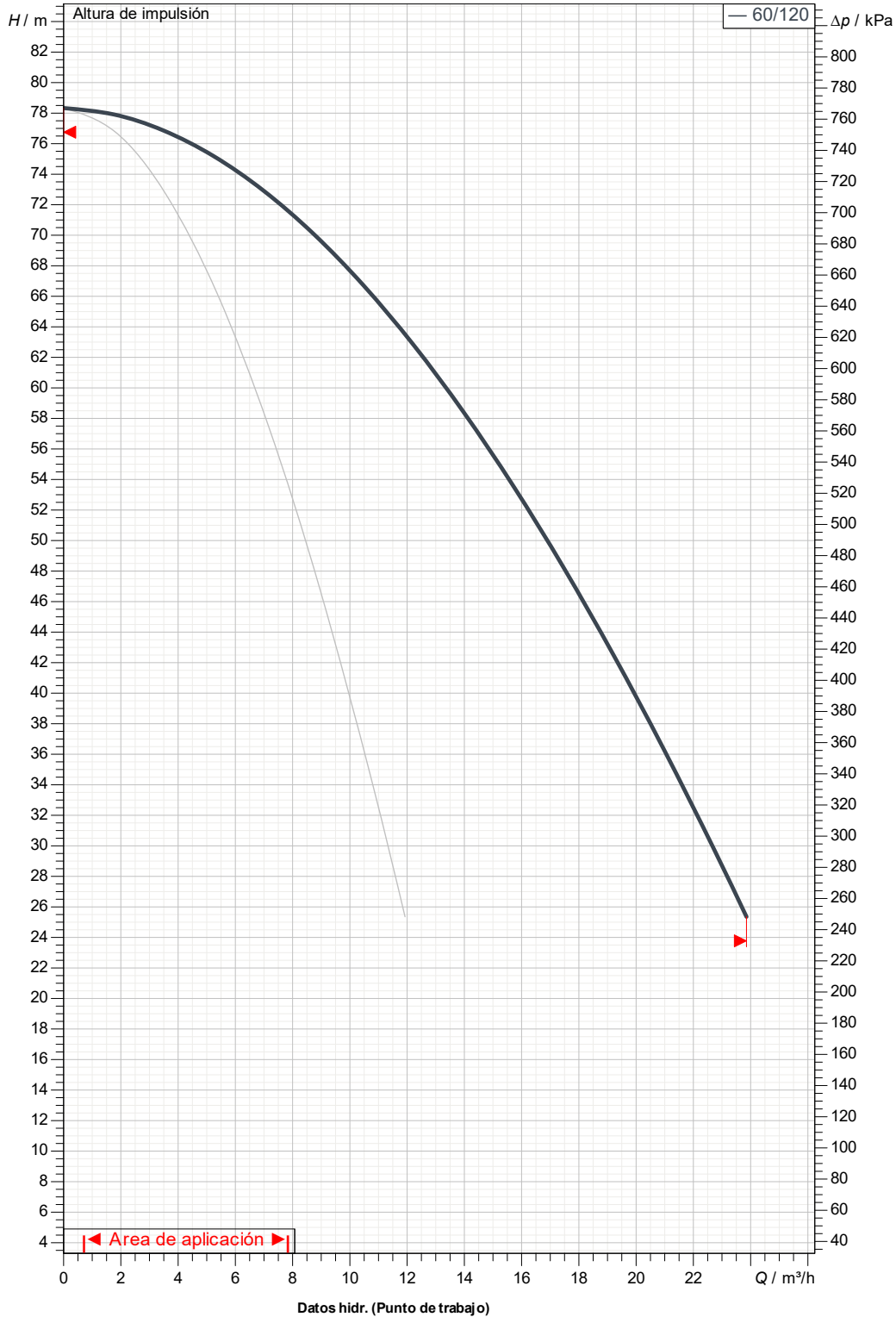
Destinatario

Remitente

Empresa
Referencia
Dirección
Telefono
Fax
E-mail

2 KVC AD 60/120 T

Tolerancia de curva acorde a ISO 9906



Lado aspiración
2"
1.200 kPa

Lado impulsión
2"
1.200 kPa

Caudal :

Altura impulsión :

Velocidad nominal:
2.800 1/min

Proyecto

ID proyecto

Creado por

Creado el

07/10/2024



DIMENSIONES

07/10/2024

Página 5 / 5

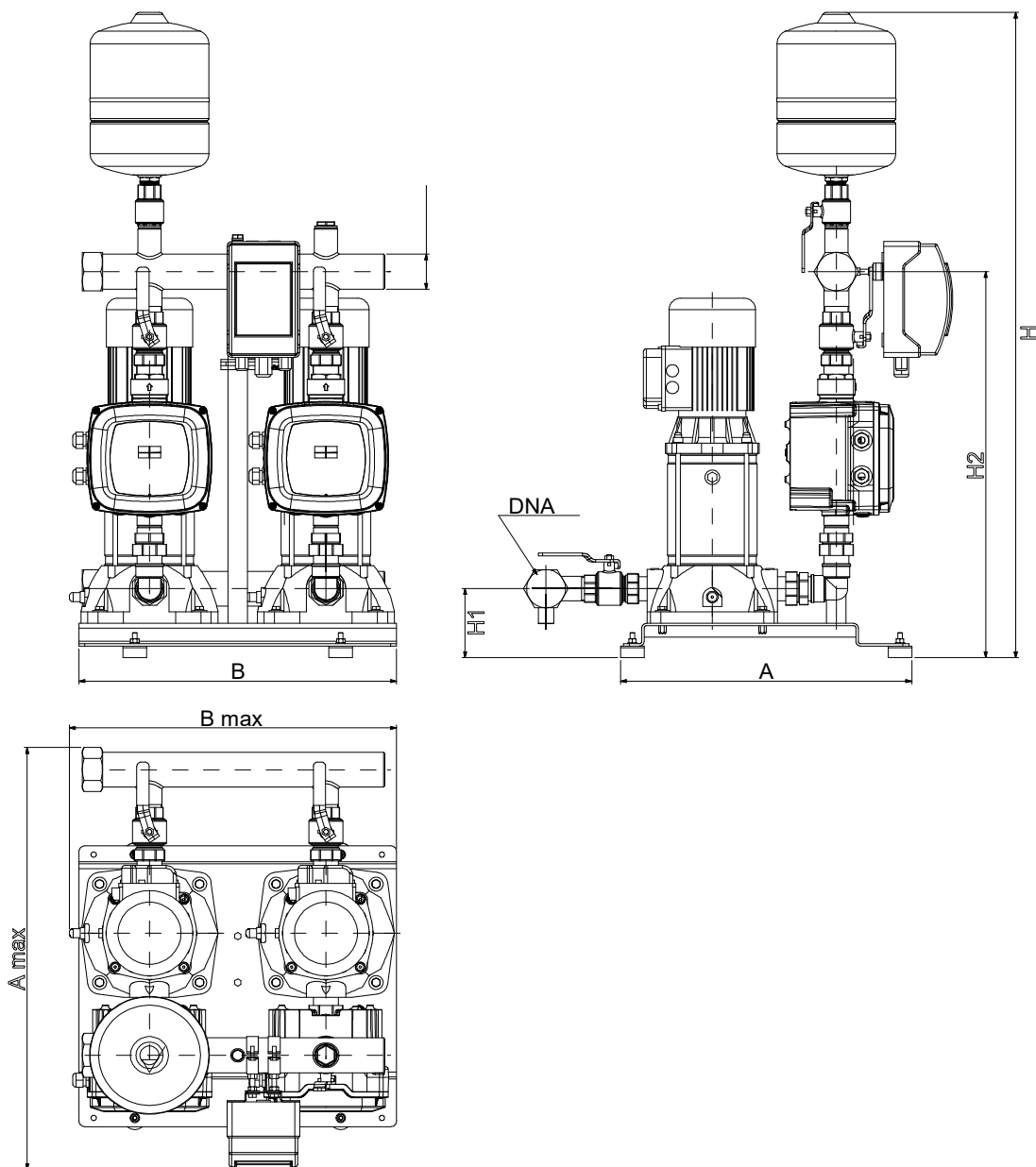
DAB PUMPS S.p.A.
Via Marco Polo, 14 - 35035 Mestrino (PD), Italy
Tel. +39 049 5125000 - Fax +39 049 5125950
www.dabpumps.com

Destinatario

Remitente

Empresa
Referencia
Dirección
Telefono
Fax
E-mail

2 KVC AD 60/120 T



Dimensiones en mm

Conexiones bomba

1	A	495					
2	A max	729					Aspiración
3	B	540					2"
4	B max	556					1.200 kPa
5	DNA	2"					
6	DNM	2"					
7	H	1.115					Discharge
8	H1	119					2"
9	H2	667					1.200 kPa
10							
11							

Proyecto	ID proyecto	Creado por	Creado el
			07/10/2024