



CLASSIC: SILVER



SPECIAL: HAMMERED BLACK



Low thermal inertia



Low water content



Versatility



Easy to stock and install



Maximum working pressure



Available in 9 colours

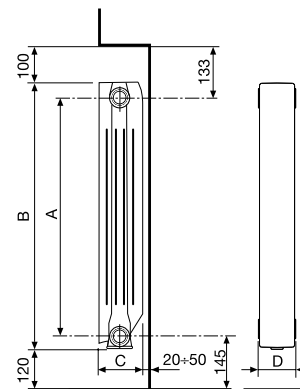


Standard supply	800: from 3 to 10 sections 700: from 3 to 12 sections 600/500/350: from 3 to 14 sections
Colours	see colors table
Maximum working pressure	16 bar
Test pressure	24 bar

Combinable with the models
Garda S/90 coloured

All models **Blitz Super B4** are guaranteed **10 years** from installation date on manufacturing faults, provided that the installation has been performed in compliance with the current norms and respecting the instructions relating to the installation, the correct use and the correct maintenance as illustrated on this catalogue.

Model	Heat output					
	ΔT 20	ΔT 30	ΔT 40	ΔT 50	ΔT 60	ΔT 70
	W/sect.	W/sect.	W/sect.	W/sect.	W/sect.	W/sect.
350/100	28,6	48,0	69,4	92,4	116,8	142,3
500/100	37,6	63,7	92,7	124,0	157,2	192,1
600/100	43,5	73,8	107,3	143,5	181,9	222,3
700/100	48,3	82,6	120,9	162,5	206,8	253,6
800/100	52,7	90,3	132,4	178,2	227,1	278,8



MEASURES EXPRESSED IN MILLIMETRES

Model for colour CLASSIC	Code (*)	Depth	Height	Centre distance	Length	Connection diameters	Water capacity	Exponent	Coefficient	Price €
		(C) mm	(B) mm	(A) mm	(D) mm	inches	litres/sect.	n	Km	
350/100	VC05xx014	97	407	350	80	G1	0,24	1,2818	0,6139	12,31
500/100	VC05xx034	97	557	500	80	G1	0,27	1,3027	0,7587	11,91
600/100	VC05xx044	97	657	600	80	G1	0,29	1,3015	0,8822	13,74
700/100	VC05xx054	97	757	700	80	G1	0,35	1,3238	0,9155	16,95
800/100	VC05xx064	97	857	800	80	G1	0,38	1,3301	0,9796	17,97

Model for colour SPECIAL	Code (*)	Depth	Height	Centre distance	Length	Connection diameters	Water capacity	Exponent	Coefficient	Price €
		(C) mm	(B) mm	(A) mm	(D) mm	inches	litres/sect.	n	Km	
350/100	VC05xx014	97	407	350	80	G1	0,24	1,2818	0,6139	13,73
500/100	VC05xx034	97	557	500	80	G1	0,27	1,3027	0,7587	13,28
600/100	VC05xx044	97	657	600	80	G1	0,29	1,3015	0,8822	15,33
700/100	VC05xx054	97	757	700	80	G1	0,35	1,3238	0,9155	18,91
800/100	VC05xx064	97	857	800	80	G1	0,38	1,3301	0,9796	20,04

Maximum working pressure: 1600 kpa (16 bar) Maximum working temperature: 120 °C

 Characteristic equation of the model $\Phi = Km \Delta T^n$

The thermal efficiency values shown comply with the European Standard EN 442-1:2014 and are certified by the MRT Lab of the Milan Polytechnic, notified body №1695.

(*) Enter the colour code instead of xx. After the last digit (4) add the number of elements required.

 For example, to request the **Blitz Super B4 350/100 (VC05xx014) Silver colour of 3 elements**, the code would be **VC05 + 07 + 01403**

CLASSIC					
NEUTRAL WHITE	SILVER	GRAPHITE	SLATE GREY	BLACK COFFEE	BRONZE
Cod. 06	Cod. 07	Cod. 3R	Cod. 3B	Cod. 3V	Cod. 08

SPECIAL	
HAMMERED BLACK	PURE METAL
Cod. 17	Cod. 18

Item	Description	Colour	Code	Price €
	1/2" plug and fixing kit - Colour: DEPENDING ON SELECTION 2 Rh G 1/2" adapters; 2 Lh G 1/2" adapters; 4 retaining gaskets for model Blitz/Simun; 4 retaining gaskets for model Garda/Ledro; 1/2" manual air-purging valve with gasket; 1 Rh G 1" blind plug; 1 Lh G 1" blind plug; 4 fixing brackets.	NEUTRAL WHITE	55014906	52,53
		SILVER	55014907	
		BRONZE	55014908	
		HAMMERED BLACK	55014917	
		SLATE GREY	5501493B	
		GRAPHITE	5501493R	
		BLACK COFFEE	5501493V	
	A 2/1 RH/LH G 1" Nipple	-	510011	0,56
	A 10/1 1" Seals for nipples (without asbestos)	-	530105	0,12
	A 11/1 1" Seals for plugs (without asbestos)	-	530108	0,14

