

VOLTER-INS

Depósito de inercia con producción instantánea ACS

CARACTERÍSTICAS

- Acumulador en acero al carbono
- Serpentin en acero inox 316L, corrugado con gran superficie, para las producción de ACS instantánea.
- Temperatura máxima 95°C
- Fluido agua o agua + anticongelante hasta el 45%
- Presión trabajo acumulador 3 bar
- Presión trabajo serpentín 10 bar
- Aislamiento poliuretano rígido de 50 mm hasta 500 L
- Poliestirenos flexible 100 mm resto capacidades
- Acabado en PVC gris
- No apto para instalación directamente al exterior
- Garantía 5 años



DISEÑO Y CONEXIONES

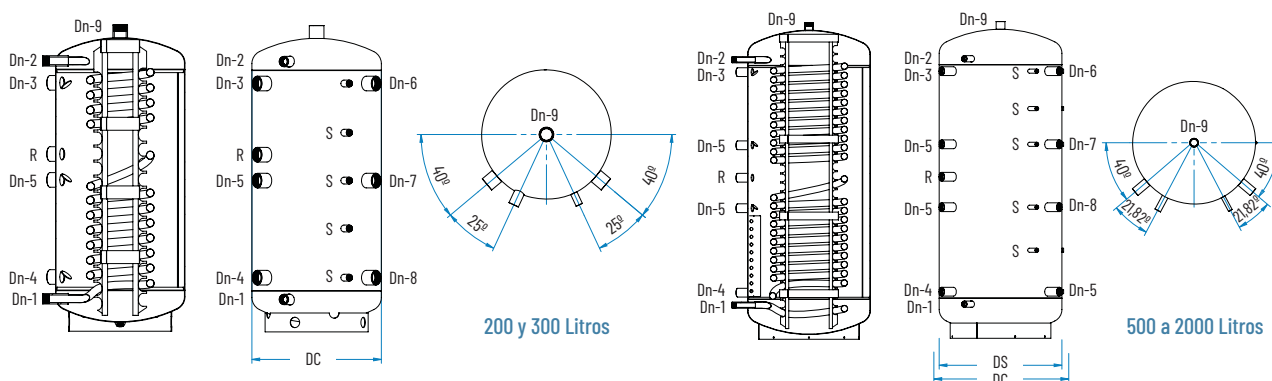


TABLA DIMENSIONAL DEPÓSITO

| MODELO | CAPACIDAD L | PESO kg | ALTURA mm | DIAMETRO aislado mm | DIAMETRO sin aislar mm | SERPENTÍN M ² | Clase Energética |
|---------------|-------------|---------|-----------|---------------------|------------------------|--------------------------|------------------|
| VOLTER200INSL | 200 | 44 | 1197 | 600 | - | 1,5 | B |
| VOLTER300INSL | 300 | 55 | 1357 | 650 | - | 2,6 | B |
| VOLTER500INSL | 500 | 104 | 1630 | 750 | - | 4 | C |
| VOLTER800INSL | 800 | 136 | 1760 | 990 | 790 | 6 | - |
| VOLTER10INSL | 1000 | 172 | 2090 | 990 | 790 | 7,5 | - |
| VOLTER15INSL | 1500 | 236 | 2200 | 1200 | 1000 | 10 | - |
| VOLTER20INSL | 2000 | 315 | 2420 | 1300 | 1100 | 10 | - |

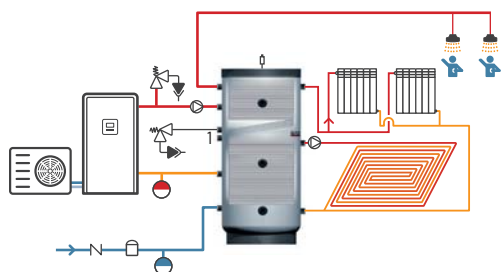
CONEXIONES DEPÓSITO

| MODELO | CAPACIDAD L | DN1 Entrada Agua fría | DN2 Salida ACS | DN3 Entrada primario | DN4 Retorno primario | DN5 Conexión libre | DN6 Ida Calef. Alta T.ª | DN7 Ida Calef. Baja T.ª | DN8 Retorno calefacciones | DN9 Purga aire Válvula seg. | R Resistencia | S Sonda |
|---------------|-------------|-----------------------|----------------|----------------------|----------------------|--------------------|-------------------------|-------------------------|---------------------------|-----------------------------|---------------|----------|
| VOLTER200INSL | 200 | 1" | 1" | 1" 1/2 | 1" 1/2 | 1" 1/2 | 1" 1/2 | 1" 1/2 | 1" 1/2 | 1/2" | 1" 1/2 | 5 x 1/2" |
| VOLTER300INSL | 300 | 1" | 1" | 1" 1/2 | 1" 1/2 | 1" 1/2 | 1" 1/2 | 1" 1/2 | 1" 1/2 | 1/2" | 1" 1/2 | 5 x 1/2" |
| VOLTER500INSL | 500 | 1" | 1" | 1" 1/2 | 1" 1/2 | 3 x 1" 1/2 | 1" 1/2 | 1" 1/2 | 1" 1/2 | 1/2" | 1" 1/2 | 5 x 1/2" |
| VOLTER800INSL | 800 | 1" | 1" | 1" 1/2 | 1" 1/2 | 3 x 1" 1/2 | 1" 1/2 | 1" 1/2 | 1" 1/2 | 1/2" | 1" 1/2 | 5 x 1/2" |
| VOLTER10INSL | 1000 | 1" | 1" | 1" 1/2 | 1" 1/2 | 3 x 1" 1/2 | 1" 1/2 | 1" 1/2 | 1" 1/2 | 1/2" | 1" 1/2 | 5 x 1/2" |
| VOLTER15INSL | 1500 | 1" | 1" | 1" 1/2 | 1" 1/2 | 3 x 1" 1/2 | 1" 1/2 | 1" 1/2 | 1" 1/2 | 1/2" | 1" 1/2 | 5 x 1/2" |
| VOLTER20INSL | 2000 | 1" | 1" | 1" 1/2 | 1" 1/2 | 3 x 1" 1/2 | 1" 1/2 | 1" 1/2 | 1" 1/2 | 1/2" | 1" 1/2 | 5 x 1/2" |

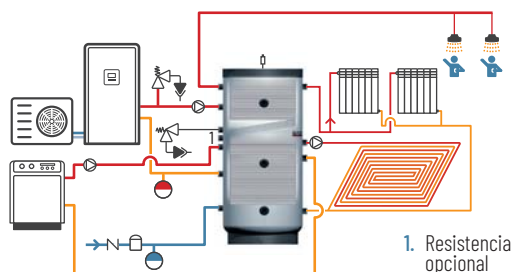
VOLTER-INS

Depósito de inercia con producción instantánea ACS

ESQUEMA DE INSTALACIÓN



Aerothermia + ACS + alta y baja temperatura



Aerothermia con caldera + ACS + alta y baja temperatura

1. Resistencia opcional



INTERIOR SERPENTÍN

TABLAS RENDIMIENTO SERPENTÍN

| MODELO | CAPACIDAD Litros | SIN APOORTE DE ENERGÍA | | | CON APOORTE DE ENERGÍA | | | |
|---------------|------------------|------------------------|-------------|---------------------------------|------------------------|------------|----------------|---------------|
| | | AGUA ACUMULADA A 65°C | | | PRIMARIO | | PRODUCCIÓN ACS | |
| | | Caudal l/min. | Tiempo min. | Producción ACS 10 - 45°C Litros | POTENCIA Kw | CAUDAL l/h | Temperatura °C | 10 - 45°C l/h |
| VOLTER200INSL | 200 | 10 | 5 | 53 | 10 | 2000 | 50 | 245 |
| | | 25 | 1 | 34 | 19 | 2000 | 60 | 477 |
| VOLTER300INSL | 300 | 10 | 13 | 129 | 29 | 2000 | 70 | 705 |
| | | 25 | 3 | 84 | 36 | 2000 | 80 | 894 |
| VOLTER500INSL | 500 | 10 | 30 | 298 | 17 | 2000 | 50 | 425 |
| | | 25 | 8 | 190 | 34 | 2000 | 60 | 827 |
| VOLTER800INSL | 800 | 10 | 60 | 604 | 50 | 2000 | 70 | 1222 |
| | | 25 | 15 | 376 | 63 | 2000 | 80 | 1550 |
| VOLTER10INSL | 1000 | 10 | 84 | 842 | 27 | 2000 | 50 | 654 |
| | | 25 | 21 | 519 | 52 | 2000 | 60 | 1273 |
| VOLTER15INSL | 1500 | 10 | 127 | 1272 | 77 | 2000 | 70 | 1881 |
| | | 25 | 32 | 794 | 97 | 2000 | 80 | 2385 |
| VOLTER20INSL | 2000 | 10 | 133 | 1326 | 40 | 2000 | 50 | 980 |
| | | 25 | 37 | 924 | 78 | 2000 | 60 | 1909 |
| | | | | | 115 | 2000 | 70 | 2821 |
| | | | | | 146 | 2000 | 80 | 3578 |
| | | | | | 50 | 2000 | 50 | 1226 |
| | | | | | 97 | 2000 | 60 | 2387 |
| | | | | | 144 | 2000 | 70 | 3526 |
| | | | | | 182 | 2000 | 80 | 4472 |
| | | | | | 67 | 2000 | 50 | 1634 |
| | | | | | 130 | 2000 | 60 | 3182 |
| | | | | | 191 | 2000 | 70 | 4701 |
| | | | | | 243 | 2000 | 80 | 5963 |
| | | | | | 67 | 2000 | 50 | 1634 |
| | | | | | 130 | 2000 | 60 | 3182 |
| | | | | | 191 | 2000 | 70 | 4701 |
| | | | | | 243 | 2000 | 80 | 5963 |