

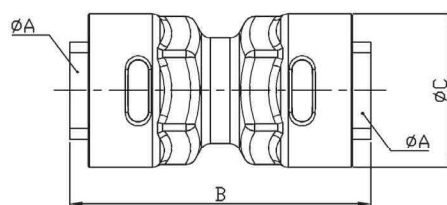
# Removable Type



## COUPLING



### Dimensions



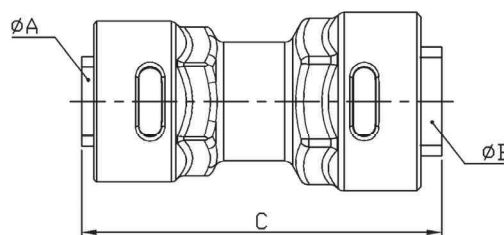
Model	Dimensions (mm)		
Number	ØA	B	ØC
SB1C 1/4	6.35	48	20
SB1C 3/8	9.52	50	24
SB1C 1/2	12.7	54	27
SB1C 5/8	15.88	57	30
SB1C 3/4	19.05	65.5	37
SB1C 7/8	22.22	66.5	40

\* Coming Soon : 1-1/8"

## COUPLING REDUCER



### Dimensions



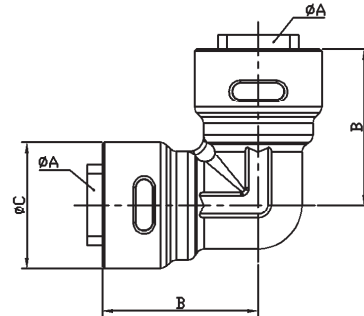
Model	Dimensions (mm)		
Number	ØA	B	C
SB1RC 1/4 X 3/8	6.35	9.52	50
SB1RC 3/8 X 1/2	9.52	12.7	55
SB1RC 1/2 X 5/8	12.7	15.88	60

# Removable Type

## ELBOW



### Dimensions



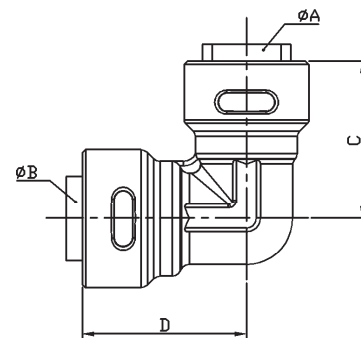
Model Number	Dimensions (mm)		
	ØA	B	ØC
SB1E 1/4	6.35	29.5	20
SB1E 3/8	9.52	32	24
SB1E 1/2	12.7	36	27
SB1E 5/8	15.88	39	30
SB1E 3/4	19.05	44	37
SB1E 7/8	22.22	45	40

\* Coming Soon : 1-1/8"

## ELBOW REDUCER



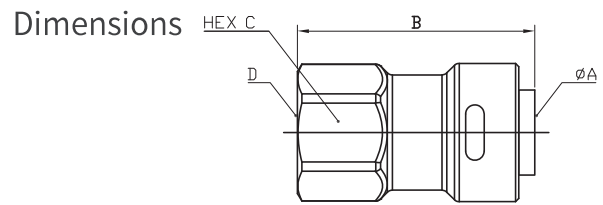
### Dimensions



Model Number	Dimensions (mm)			
	ØA	ØB	C	D
SB1RE 1/4 X 3/8	6.35	9.52	26	30
SB1RE 3/8 X 1/2	9.52	12.7	30	34
SB1RE 1/2 X 5/8	12.7	15.88	34	35.5

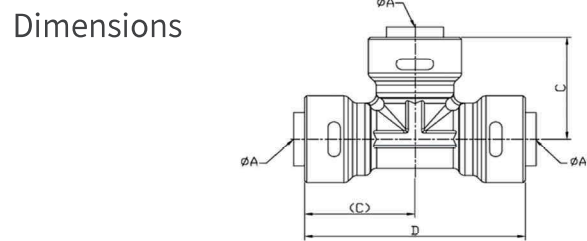
# Removable Type

## FLARE ADAPTER



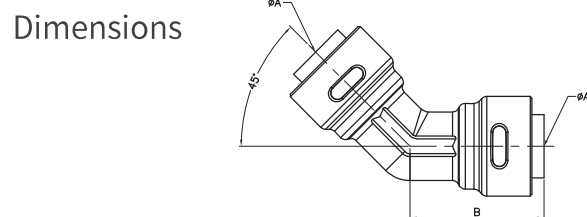
Model Number	Dimensions (mm)			
	ØA	B	HEX C	D
SB1S 1/4	6.35	38.5	17	7/16-20 UNF
SB1S 3/8	9.52	41.5	22	5/8-18 UNF
SB1S 1/2	12.7	46.5	24	3/4-16 UNF
SB1S 5/8	15.88	53	27	7/8-14 UNF

## TEE



Model Number	Dimensions (mm)		
	ØA	C	D
SB1T 1/4	6.35	26	52
SB1T 3/8	9.52	30	60
SB1T 1/2	12.7	34	68
SB1T 5/8	15.88	35.5	71

## 45° ELBOW



Model Number	Dimensions (mm)	
	ØA	B
SB1D 1/4	6.35	26
SB1D 3/8	9.52	30
SB1D 1/2	12.7	34
SB1D 5/8	15.88	35.5

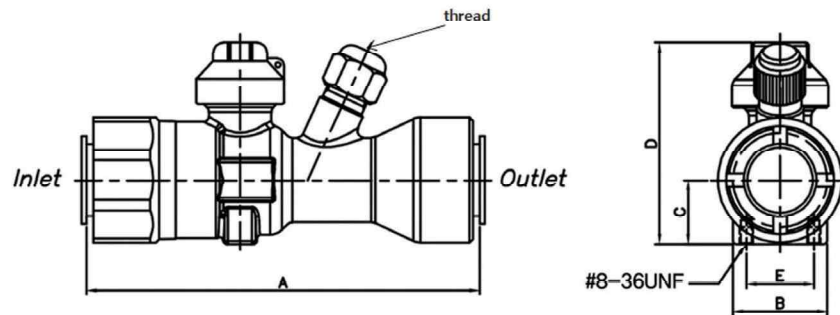
# Removable/Permanent Type



## BALL VALVE



### Dimensions



- Charge Port Flare thread : 1/2-20UNF

### Application

- Refrigerants : R22, R134a, R410a, R507, R600, R290, R32
- Maximum Working Pressure : 870psig (60bar)
- Temperature Range : -30°C ~ 120°C

### Features

- The Specific Design of ESSEN Innovation Fittings
- Push to Connect Type
- Leak-Proof Double Rubber Sealing Type
- Robust Brass Body Design

Model Number With Access Port	Connection Size (inch)		Dimensions (mm)				
	inlet	outlet	A	B	C	D	E
SBV 06C	1/4"		95	26	16	55	20.0
SBV 10C	3/8"		101	26	16	55	20.0
SBV 12C	1/2"		107	26	16	55	20.0
SBV 16C	5/8"		106	28	19	60	20.0
SBV 18C	3/4"		117	28	19	60	20.0
SBV 22C	7/8"		127	41	21	67	32.0
SBV 1006C	3/8"	1/4"	100	26	16	55	20.0
SBV 0610C	1/4"	3/8"	96	26	16	55	20.0
SBV 1210C	1/2"	3/8"	103	26	16	55	20.0
SBV 1012C	3/8"	1/2"	103	26	16	55	20.0
SBV 1612C	5/8"	1/2"	108	26	16	55	20.0
SBV 1216C	1/2"	5/8"	105	28	19	60	20.0

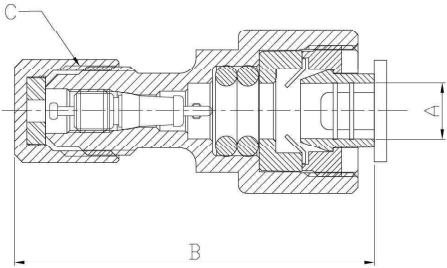
# Removable Type



## CHARGE NIPPLE



Dimensions

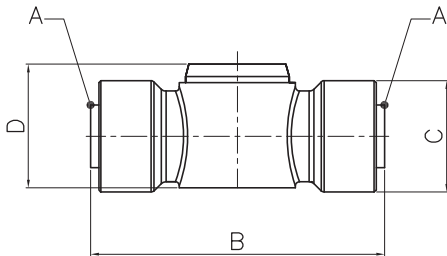


Model Number	Dimensions (mm)		
	ØA	B	C
SB1 CN 1/4	6.35	43.8	7/16 20 UNF

## SIGHT GLASS



Dimensions



### Application

- Refrigerants : R22, R134a, R410a, R507, R600, R290, R32
- Maximum Working Pressure : 653psig(45bar, 45kg/cm<sup>2</sup>)
- Temperature Range : -40°C ~ 120°C

### Features

- The Specific Design of ESSEN Innovation Fittings
- Push to Connect Type
- Leak-Proof Double Rubber Sealing Type
- Robust Brass Body Design

Model Number	Dimensions (mm)			
	A	B	C	D
SB1SG 1/4	6.35	69	20	24
SB1SG 3/8	9.52	69	24	30
SB1SG 1/2	12.7	71	27	30
SB1SG 5/8	15.88	73	30	30

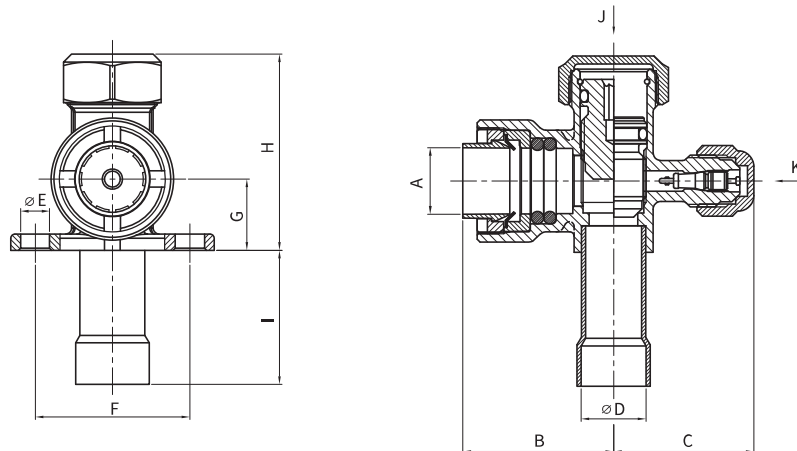
# Removable Type



## SERVICE VALVES



### Dimensions



Model Number	Connections (mm)			Dimensions (mm)							Wrench Size (mm)			Flow rate (L/min)
	ØA	ØD	Charge Port Flare [inch]	B	C	ØE	F	G	H	I	Valve Cap (J)	Valve Stem (J)	Charge Port cap (K)	
SSV1-1/4	6.35	6.6	-	29.2	-	7.2	38	14	36.6	33	18	4	-	1
SSV1-3/8	9.52	9.7	7/16-20UNF	30.5	31.5	7.2	38	14.5	39.5	33	19	4	14	6
SSV1-1/2	12.7	12.9	7/16-20UNF	34.5	33.5	7.2	38	16	46.6	33	23	4	14	10
SSV1-5/8	15.88	16.1	7/16-20UNF	37	34.5	7.2	38	17.5	48.3	33	24	4	14	14
SSV1-1/4N	6.35	6.6	-	29.2	-	7.2	38	14	36.6	33	18	4	-	1
SSV1-3/8N	9.52	9.7	1/2-20UNF	30.5	31.5	7.2	38	14.5	39.5	33	19	4	15	6
SSV1-1/2N	12.7	12.9	1/2-20UNF	34.5	33.5	7.2	38	16	46.6	33	23	4	15	10
SSV1-5/8N	15.88	16.1	1/2-20UNF	37	34.5	7.2	38	17.5	48.3	33	24	4	15	14

\* N model : R22, R410A

\* Maximum Working Pressure : 653psig (45bar, 45kg/cm<sup>2</sup>)